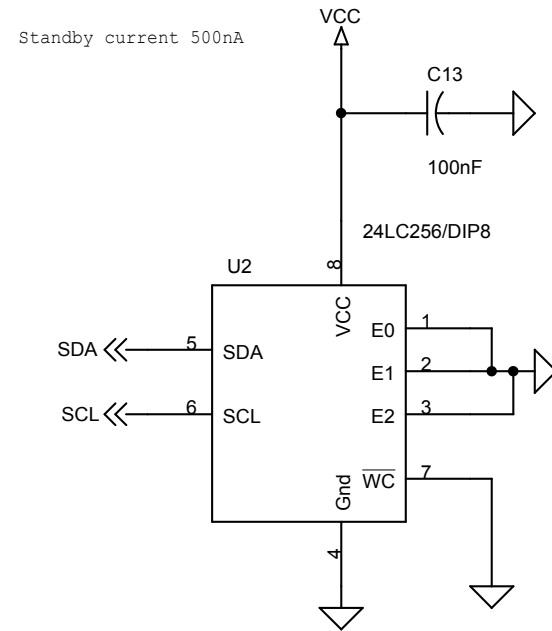
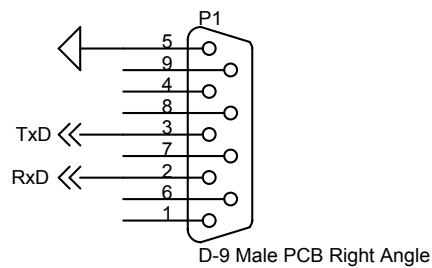
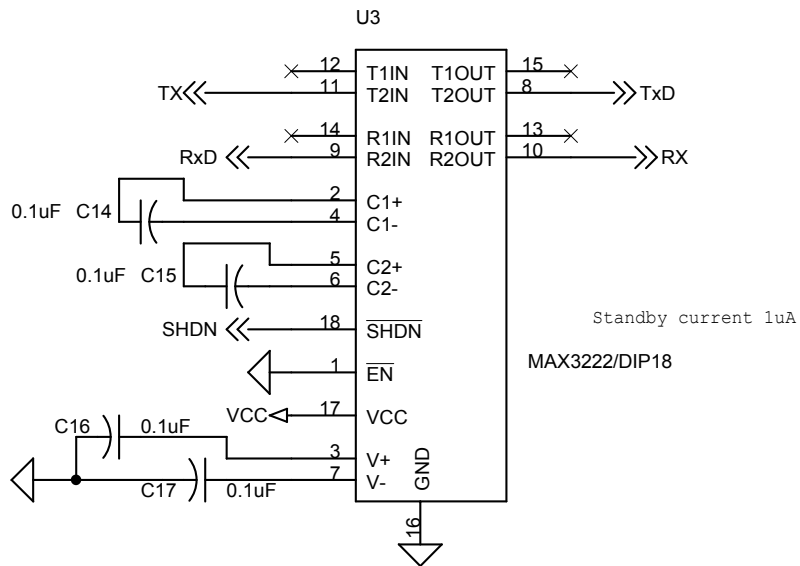
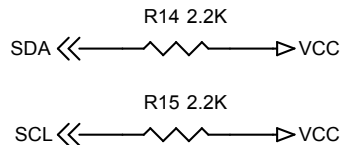
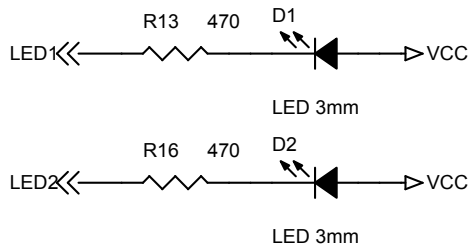


Title		
<Title>		
Size	Document Number	Rev
A	<Doc>	1
Date:	Saturday, December 25, 2004	Sheet 1 of 2



Title		
<Title>		
Size	Document Number	Rev
A	<Doc>	1
Date:	Saturday, December 25, 2004	Sheet 2 of 2
	2	1